

PRODUCT INFORMATION PACKET

Model No: 5KH49SN3048

Catalog No: H300

1/4-1/10 HP 2 speed Fan and Blower HVAC/R Motor, 1 phase, 1200/1200 RPM, 115 V, 56 Frame, ODP
Other Fan and Blower Motors



Regal and Marathon are trademarks of Regal Beloit Corporation or one of its affiliated companies.
©2020 Regal Beloit Corporation, All Rights Reserved. MC017097E

REGAL

Nameplate Specifications

Output HP	1/4-1/10 Hp	Output KW	0.19 kW
Frequency	60 Hz	Voltage	115 V
Current	5.8,3.6 A	Speed	1140/850 rpm
Service Factor	1.35	Phase	1
Efficiency	52.5 %	Power Factor	0
Duty	Continuous	Insulation Class	B
Design Code	-	KVA Code	M
Frame	56	Enclosure	Drip Proof
Thermal Protection	N/R	Ambient Temperature	40 °C
Drive End Bearing Size	6203	Opp Drive End Bearing Size	6203
UL	Recognized	CSA	Yes
CE	N		

Technical Specifications

Electrical Type	Split Phase	Starting Method	SM
Poles	6	Rotation	Counterclockwise/Clockwise
Mounting	Resilient Base	Motor Orientation	ANY
Drive End Bearing	BALL	Opp Drive End Bearing	Ball
Frame Material	Rolled Steel	Overall Length	12.01 in
Frame Length	7.68 in	Shaft Diameter	0.630 in
Shaft Extension	1.88 in	Thru-bolts Extension	0 in
Connection Drawing	52A106478AA	Outline Drawing	52A109511P4

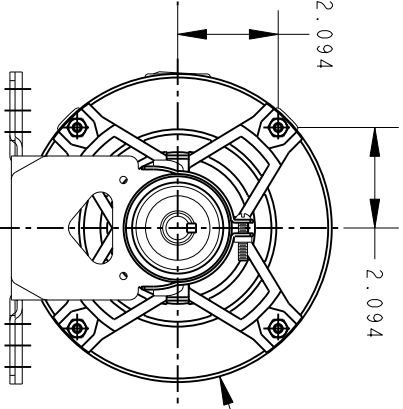
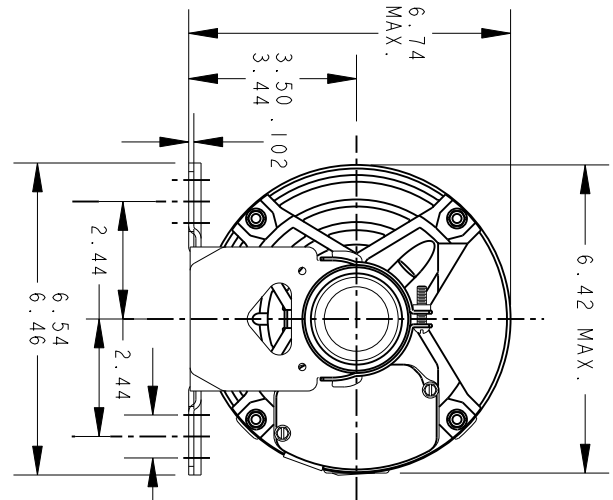
This is an uncontrolled document once printed or downloaded and is subject to change without notice. Date Created:03/11/2020

THIRD ANGLE PROJECTION

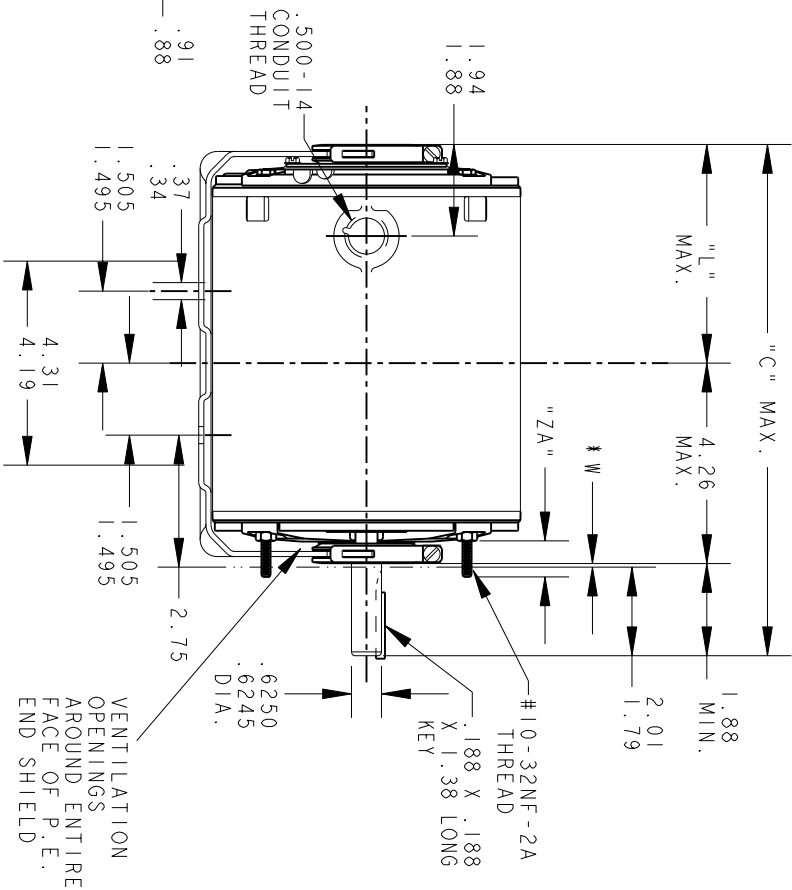


REVISIONS

REV.	DESCRIPTION	DATE	APPROVED
2	ADDED PART #4.	07/05/94	M.D. PAPE
3	CHG TO RBC FORMAT PER IS05-1777	03/16/06	SUDHA



VIEW OF P.E. END SHIELD



* W IS A VARIABLE CLEARANCE DUE TO VARIATIONS IN PARTS AND ASSEMBLY

4	3	2	1	P
KH/K	KH/K	KH/K	KH/K	TYPE
49	49	46	46	GE
56	56	56	56	SIZE
12.01	11.48	10.88	10.88	NEMA "C"
5.75	5.22	4.62	4.62	FR. "L"
.62	.62	.62	.62	"ZA"

ALL DIMENSIONS ARE IN INCHES



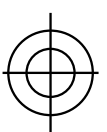
REGAL-BELOTT CORPORATION

OUTLINE

GENERAL PURPOSE MOTOR - DRIP PROOF - BALL BEARING - RESILIENT BASE EXTENDED CLAMP SCREWS FMF - 40 FRAME REDESIGN

FOR ADDITIONAL INFO REFER TO:	QUALITY	M.F.G.	ENGRG	CHECKED	DETAIL	MODEL	MA MARKS	DATE	SIGNATURES
APPLIED PRACTICES	ISSUED	M.A.M.	03/29/94						
DIMENSIONS ARE IN INCHES									
MATERIAL									

SCALE: 0.250	REF. No.:	SHEET 1 of 1
SIZE: DRAWING A	REV: 3	

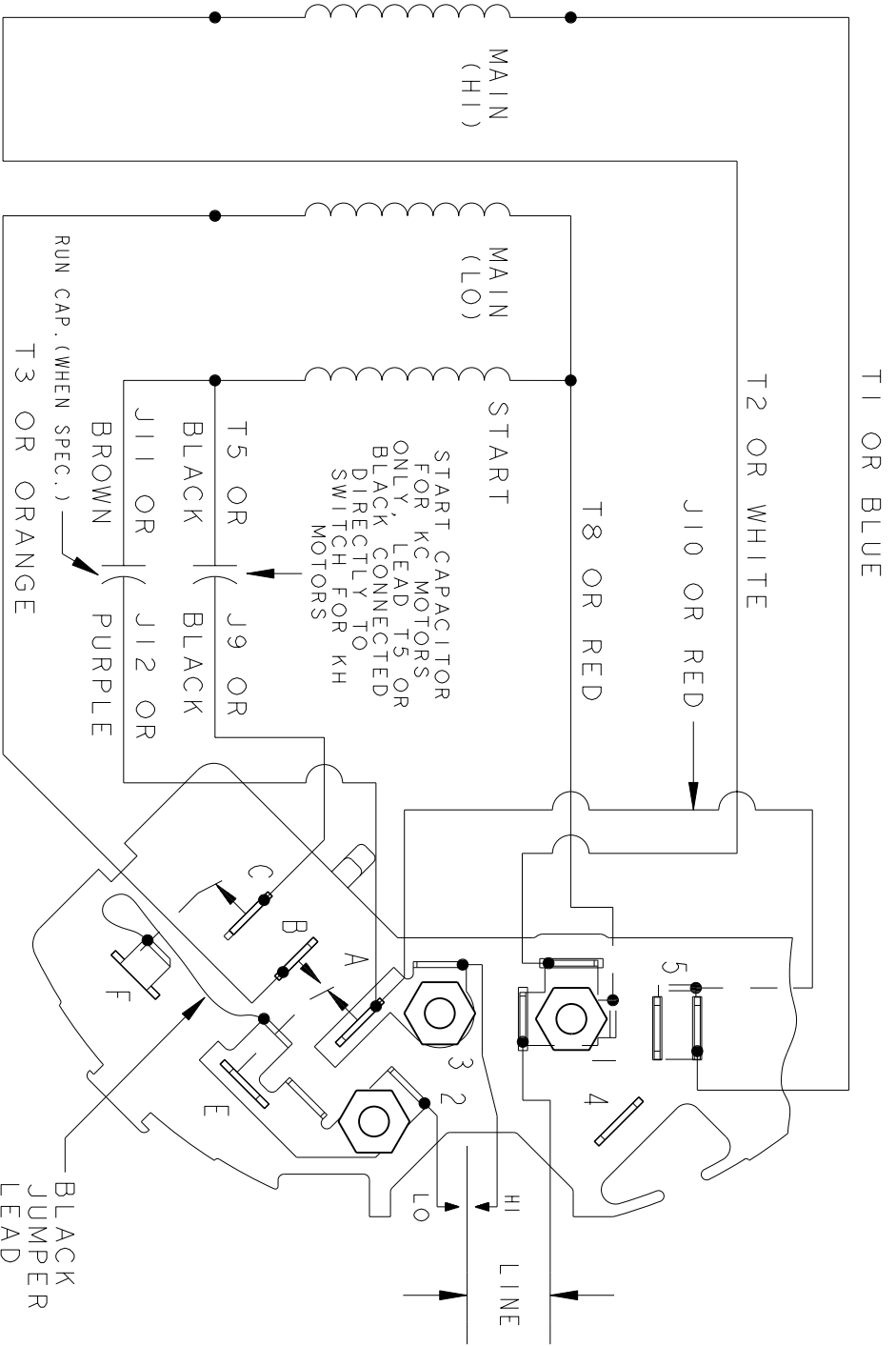


THIRD ANGLE PROJECTION

REVISIONS

REV.	DESCRIPTION	DATE	APPROVED
5	UPDATED TO RBC FORMAT	01/09/06	MAM

EITHER ROTATION
 SINGLE VOLTAGE
 TYPE KC, KCR, OR KH
 2 SPEED
 POLE CHANGING



NOTE #1 - TO REVERSE ROTATION INTERCHANGE BLUE (T1) AND WHITE (T2) LEADS.

NOTE #2 - WHEN MORE THAN ONE CAPACITOR IS USED CONNECT IN PARALLEL.

REF. DIAG. - 121A865

SWITCH (D) - 115D9558BA
 CONNECTION LABEL - 52X332073

SIGNATURES	DATE
MODEL M.D.P.	12/14/87
DETAIL	
CHECKED	
ENGRG	
MFG	
QUALITY	
ISSUED M.D.P.	12/14/87
MATERIAL	SOLID MODEL: 52A106478AA

REGAL-BELOTT CORPORATION

CONNECTION DIAGRAM

FMF: 5KH36KN114G

52A106478AA

SCALE: 1.000 REF. No.:

SIZE A DRAWING

REV 5